

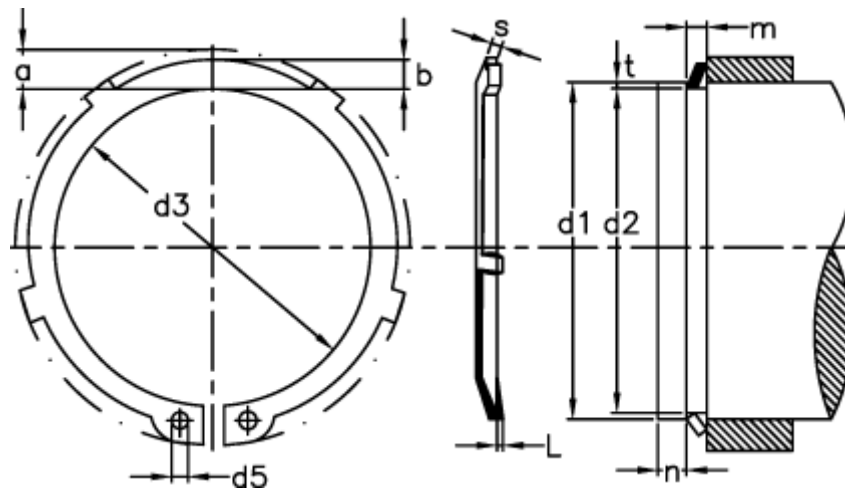
Data Sheet



Article number: 0120037A

Description: Retaining ring AL 20X1,2
Spring steel

Measures



a max	= 3.8	FL max kN	= 0.77	s	= 1.20
b	= 2.6	FN kN	= 5.06	tol	= -0.15
C kN/mm	= 2.58	FRg kN	= 3.85	tol	= +0,13 -0,42
d1	= 20	FR kN	= 17.1	u	= 0.05
d2	= 19.0	g	= 1.5		
d3	= 18.5	L min	= 0.35		
d5 min	= 2.0	m min	= 1.30		
Description	= AL 20	Nominal drive	= 1.5		